



Produzione Misuratori Volumetrici

# PETROL Metering Systems

Petrol Metering Systems Srl - Via delle Valli, 25 - 04017 Aprilia (LT) Italy  
Tel.: + + 39.06.92727658 - Fax: + + 39.06.92860025  
Web: www.petrolms.it - E-mail: petrolms@petrolms.it



## FABRICATED STRAINERS

"Petrol" basket type strainers are used for screening foreign particles present in the fluid in order to protect the PD flowmeters thus allowing for their proper function and durability.



## FEATURES

- Maximum effective screening area with minimum pressure losses.
- High strength of filter elements to resist pressure differentials there-across thus assuring stable operation.
- Simple design and high safety of operation against pressure.
- Accessible construction and serviceability.

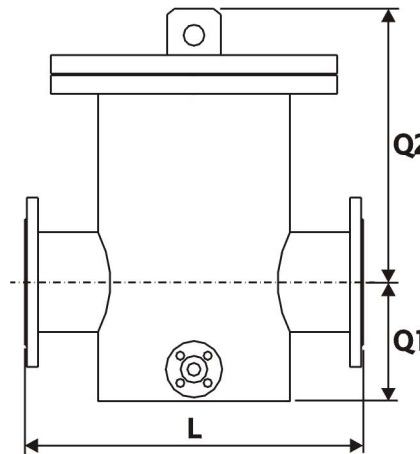
### Identification code

Basket type strainer  
Max operation pressure  
Strainer size  
Body material  
Screening material

**SA8-F8**

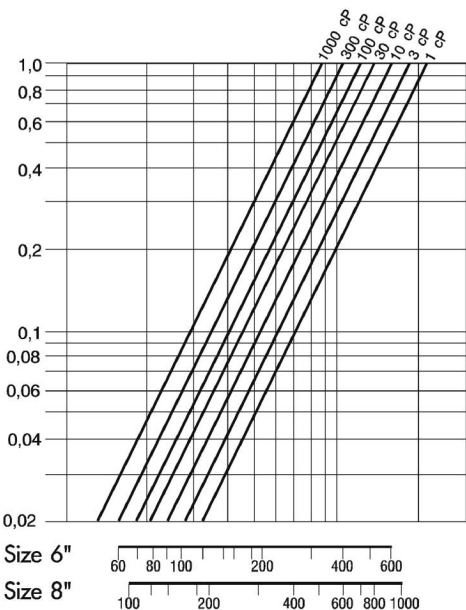
### Strainers out-line dimensions

Size	L	Q1	Q2
6"	570	200	460
8"	960	400	650



Special dimensional configuration on request

## PRESSURE DROP



## Screeners

- Mesh standard: 40, 80, 200
- Options: 20, 60, 100, 160 mesh
- Special mesh on request
- Material: AISI 316

## CODE

BODY MATERIALS			MAX PRESSURE	
Code	Body/Covers	Gaskets	Code	Mpa
C	cast steel	Universal SA	A	1
E	AISI 304	Teflon	L	2
F	AISI 316	Teflon	M	6,2